

MAGNUM GURU®

LOCOMOTIVE FREEZE PROTECTION

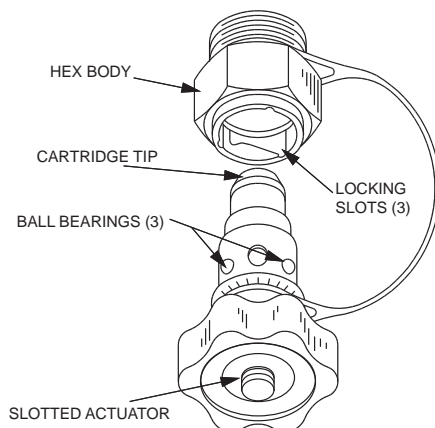
BENEFITS

- Drains twice as fast as the standard GURU® Plug
- Will not trip or dump while locomotive is running
- Straight SAE threads and O-ring seals provide for easy field maintenance and testing
- Easy installation
- Completely mechanical - No electrical or air connections required
- Not affected by air flow or air temperature - releases only when cooling water reaches set-point
- Easy system refill
- Slotted actuator feature prevents nuisance dumps when refilling cooling system with cold water
- Unit automatically rearms after filling and reheating
- Optional domed anti tamper cap eliminates ability to tamper with the valve resetting stem



DESIGN FEATURES

- Exclusive **Thermoloid®** thermal actuator
- Actuator sensing surface is the only wetted part
- Design excludes cooling water chemicals and other debris from moving parts
- Long service life: All moving parts are stainless steel
- Available in modified 1-1/4" NPT tee or flanged tee body styles
- Paint mask minimizes accidental paint-ins
- Knob on cartridge for easy installation and removal even in hard to reach locations



The Magnum GURU® Plug is available in the models shown for new installations or to retrofit existing freeze protection systems by Ogontz, Prime, Salem, Graham-White, and Microphor.

OPERATION

The **Magnum GURU® Plug** is a higher discharge capacity version of the standard GURU® Plug. The **Magnum GURU® Plug** is a self-operating thermostatic drain valve that responds to engine coolant temperature and will pop open and drain when coolant reaches the set-point (35°F or 40°F). This provides almost a full 1.2 inch bore to rapidly drain a locomotive before freeze damage can occur.

Resetting and rearming the **Magnum GURU® Plug** is easily accomplished by simply reheating the cartridge and utilizing the slotted actuator feature with the GURU® Plug and Clip tool. This feature prevents the GURU® Plug from triggering open again while refilling the cooling system with cold water.

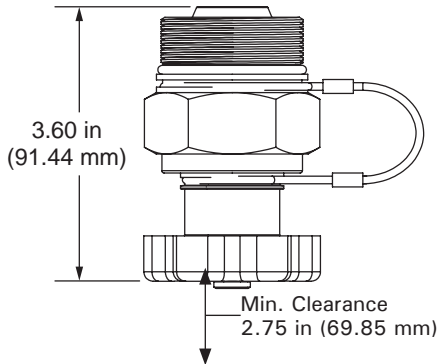
APPLICATIONS

- Locomotive engine cooling systems
- Stand-by diesel heating circulators
- Back up protection in event of shutdown
- On-board tanks and piping

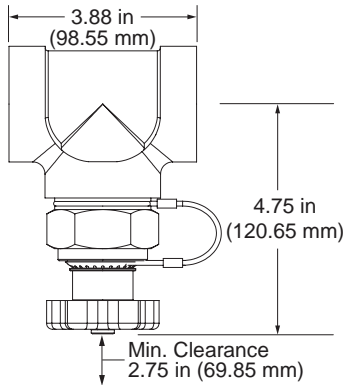
MAGNUM GURU®

LOCOMOTIVE FREEZE PROTECTION

MAGNUM TYPE-S



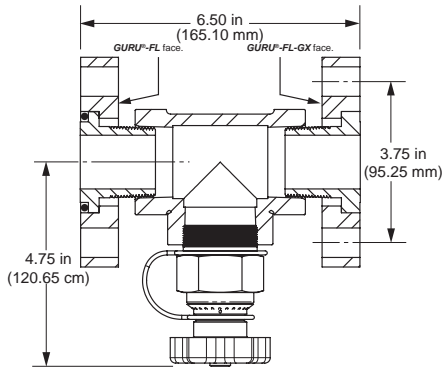
MAGNUM TYPE-T



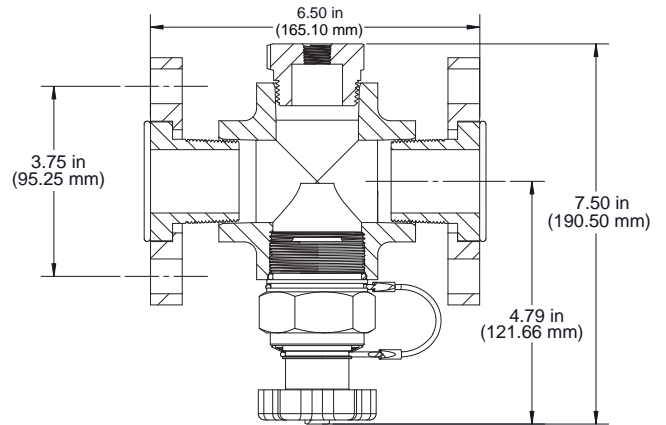
ANTI-TAMPER DOME CAP



MAGNUM TYPE-FL, FL-GX & FL/FL-GX



MAGNUM TYPE-CR/FL-GX/P



ORDERING

PART NUMBER		DESCRIPTION	NOTES
35°	40°		
470-010100-035	470-010000-040	MAGNUM CARTRIDGE	REPLACEMENT MAGNUM GURU® CARTRIDGE
470-001100-035	470-001000-000	MAGNUM TYPE-S	
470-002100-035	470-002000-000	MAGNUM TYPE-T	
470-003100-035	470-003000-000	MAGNUM TYPE-FL	GROOVED FLANGE QUAD SEAL
470-004100-035	470-004000-000	MAGNUM TYPE-FL-GX	FLAT FACED FLANGES
470-005100-035	470-005000-000	MAGNUM TYPE-FL/FL-GX	1 FLAT AND 1 GROOVED FLANGE
470-008100-035	470-008100-040	MAGNUM TYPE-CR/FL-GX/P	CROSS VALVE w/ PLUG & FLAT FACED FLANGES
470-001110-035		MAGNUM TYPE-S 35°F: ANTI-TAMPER	
FOR WATER COOLED AIR COMPRESSOR FREEZE PROTECTION, SEE GURU® CH & CHS PRODUCT SHEET.			

The suitability of the valve for the intended application is the responsibility of the end user.
Magnum GURU® valves are covered by a 1-year warranty.



ThermOmegaTech®, Inc.
353 Ivyland Road
Warminster, PA 18974

1-877-379-8258
www.ThermOmegaTech.com

MAGNUM GURU
5/1/2020

Because of continuous improvements, ThermOmegaTech®, Inc. reserves the right to change the design and specifications without notice