

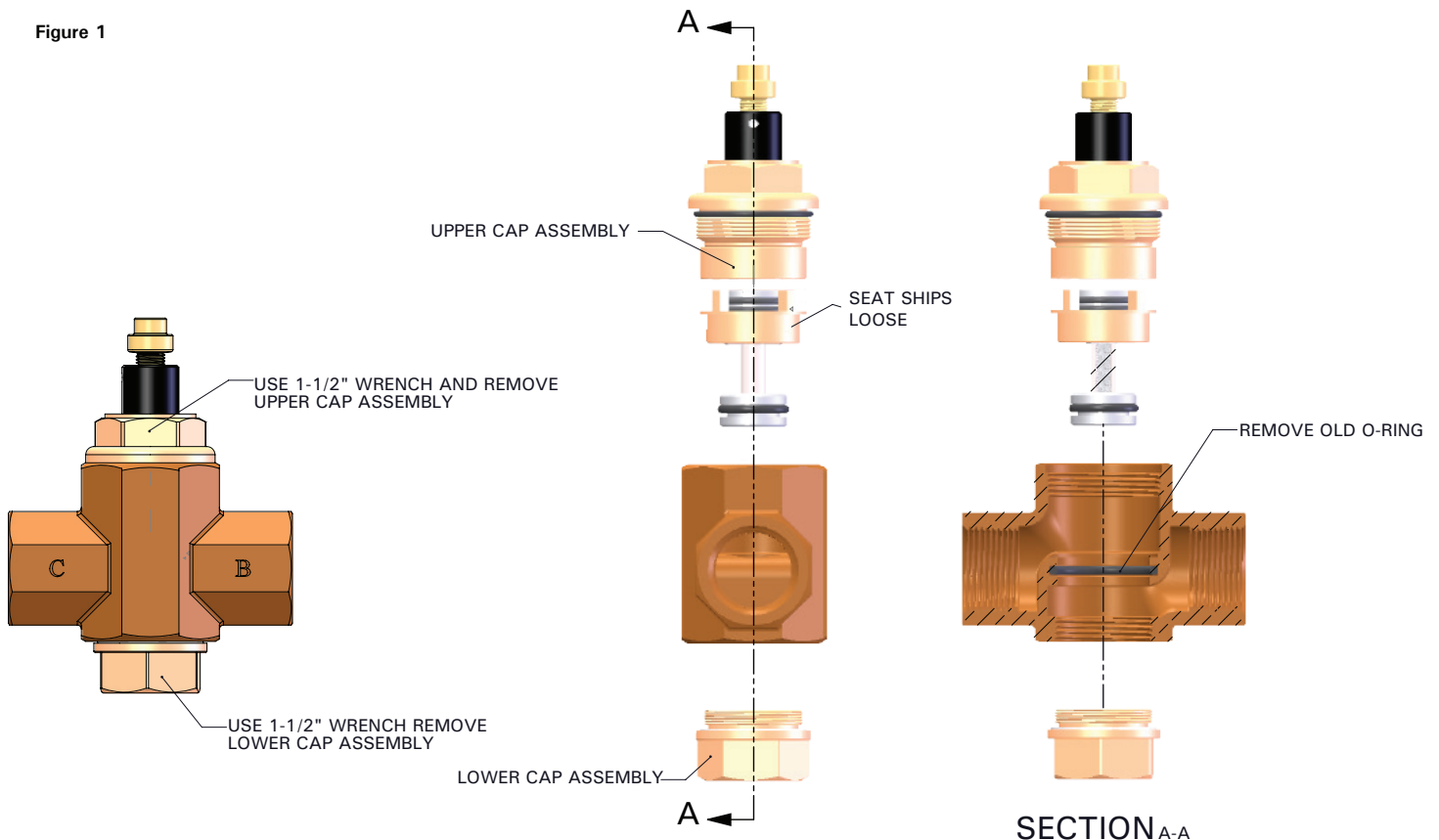
INSTALLATION INSTRUCTIONS 1" GURU PC® CARTRIDGE ASSEMBLY RAIL PASSENGER CAR

To change the cartridge assembly of your 1" GURU PC valve follow the instructions listed below.

Disassembly

1. Isolate valve or drain system.
2. Use 1 1/2" hex flats on cap to remove the upper and lower cap assembly from installed valve.
3. Confirm the upper and lower cap assembly shown below in Figure 1 are removed from valve (no internal parts are to be reused).
4. Use non-marking pad or cotton rag to clean threads, internal surfaces of body and valve port of all dirt/grime and mineral buildup.

Figure 1



Assembly

1. Apply Krytox lubrication (supplied) to all O-Rings in the new cartridge assembly. (See Figure 2)
2. Remove the old O-Ring inside the 1" valve body and insert new O-Ring into the groove as shown below in Figure 3.
3. Insert factory-calibrated upper cap assembly into the top of the valve body and tighten using a 1-1/2" wrench to 50 ft/lb.
4. Insert lower cap assembly into bottom of the valve body and tighten using a 1-1/2" wrench to 50 ft/lb.
5. Spray actuator with freeze spray or freeze wand and confirm valve opens within 5-15 Seconds (Opens then Closes).

Figure 2

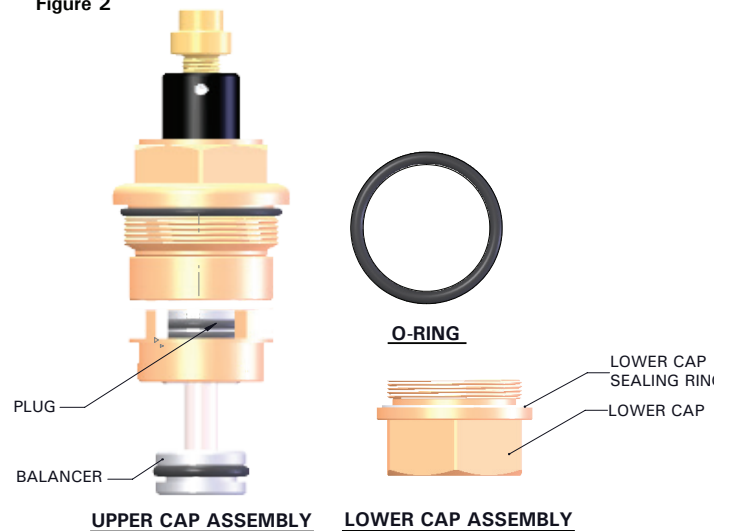
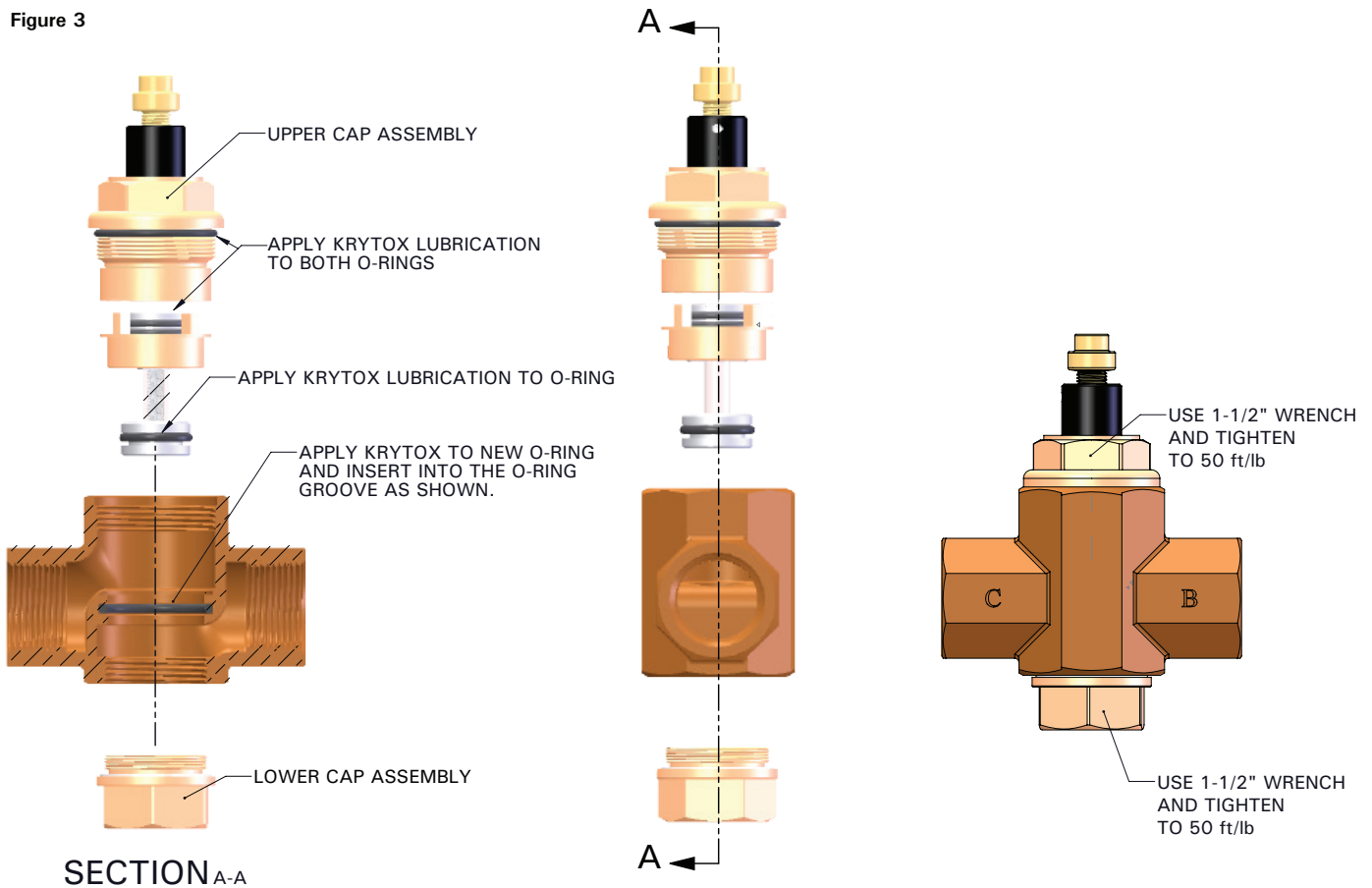


Figure 3



WARNING: This product can expose you to chemicals, for example lead, nickel, acrylonitrile, which are known to the State of CA to cause cancer, birth defects, or reproductive harm. For more information, go to www.P65Warnings.ca.gov

Warranty information disclosed at www.thermomegatech.com/terms-conditions/

1GURUPC-CARTRIDGE
ASSEMBLY_IMI
REV: 6/25/21